



US00D806407S

(12) **United States Design Patent**
Nelson

(10) **Patent No.:** **US D806,407 S**
(45) **Date of Patent:** **** Jan. 2, 2018**

- (54) **COLLAPSIBLE TIE RACK**
- (71) Applicant: **Daniel C. Nelson**, Adena, OH (US)
- (72) Inventor: **Daniel C. Nelson**, Adena, OH (US)
- (**) Term: **15 Years**
- (21) Appl. No.: **29/572,664**
- (22) Filed: **Jul. 29, 2016**
- (51) **LOC (11) Cl.** **06-08**
- (52) **U.S. Cl.**
USPC **D6/324**
- (58) **Field of Classification Search**
USPC D6/315-328, 512, 513, 569-572;
223/85-98; 211/13.1, 85.3, 60.1, 63,
211/70.1, 86.01, 87.01, 106.01; D8/356,
D8/367, 372
CPC A47G 25/32; A47G 25/28; A47G 25/743;
A47G 25/26; A47G 25/30; A47G
25/1442; A47G 25/06; A47G 25/38;
A47G 25/50; A47G 25/06; A47G 25/74;
A47G 25/1414; A47G 25/34; A47G
29/08; A47G 29/00; A47F 5/0006; A47F
7/19; A47F 7/12
See application file for complete search history.

D271,546	S	*	11/1983	Smith	D6/324
D276,195	S	*	11/1984	Smith	D6/324
D301,524	S	*	6/1989	Trafford	D6/324
D324,784	S	*	3/1992	Rose	D6/324
D409,847	S	*	5/1999	Augspurger	D6/315
D503,046	S	*	3/2005	Caiazza	A47G 25/06 D6/327
D775,477	S	*	1/2017	Corless	D6/320
2007/0029355	A1	*	2/2007	Dente	A47B 61/003 223/85
2016/0120351	A1	*	5/2016	Davis	A47G 25/746 211/85.3

* cited by examiner

Primary Examiner — Lauren Calve
(74) *Attorney, Agent, or Firm* — Frank H. Foster;
Kremblas & Foster

(57) **CLAIM**

The ornamental design for a collapsible tie rack, substantially as shown.

DESCRIPTION

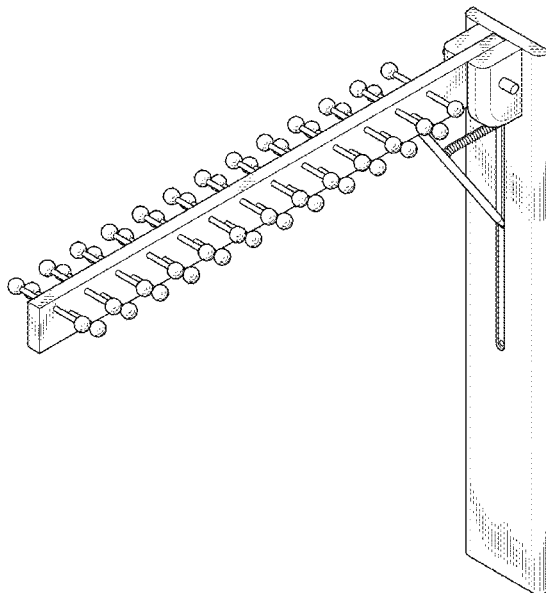
FIG. 1 is a bottom front perspective view of a collapsible tie rack showing my new design;
 FIG. 2 is a bottom front perspective view thereof;
 FIG. 3 is a top front perspective view thereof shown in an alternate position;
 FIG. 4 is a front elevation view of FIG. 1;
 FIG. 5 is a rear elevation view of FIG. 1;
 FIG. 6 is a right side elevation view of FIG. 1;
 FIG. 7 is a left side elevation view of FIG. 1;
 FIG. 8 is a top plan view of FIG. 1; and,
 FIG. 9 is a bottom plan view of FIG. 1.
 The broken lines shown represent unclaimed subject matter and form no part of the claimed design.

1 Claim, 5 Drawing Sheets

(56) **References Cited**

U.S. PATENT DOCUMENTS

D135,656	S	*	5/1943	Williams	D6/324
2,429,041	A	*	10/1947	Anderson	A47G 25/0685 211/100
D149,103	S	*	3/1948	Atkins	D6/324
D151,402	S	*	10/1948	Ragland	D6/324
2,474,436	A	*	6/1949	Pestyner	A47G 25/746 211/104



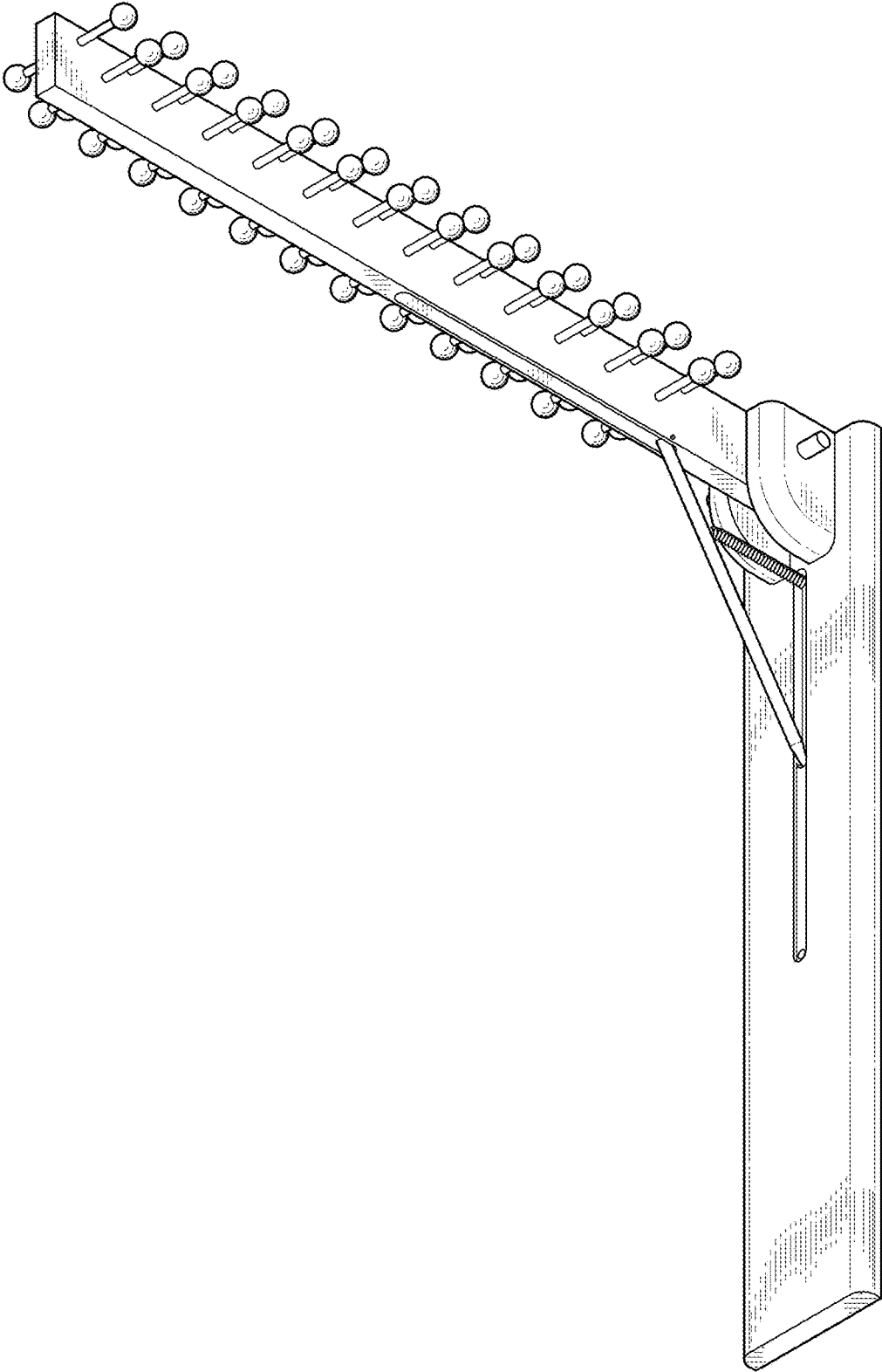


Fig. 1

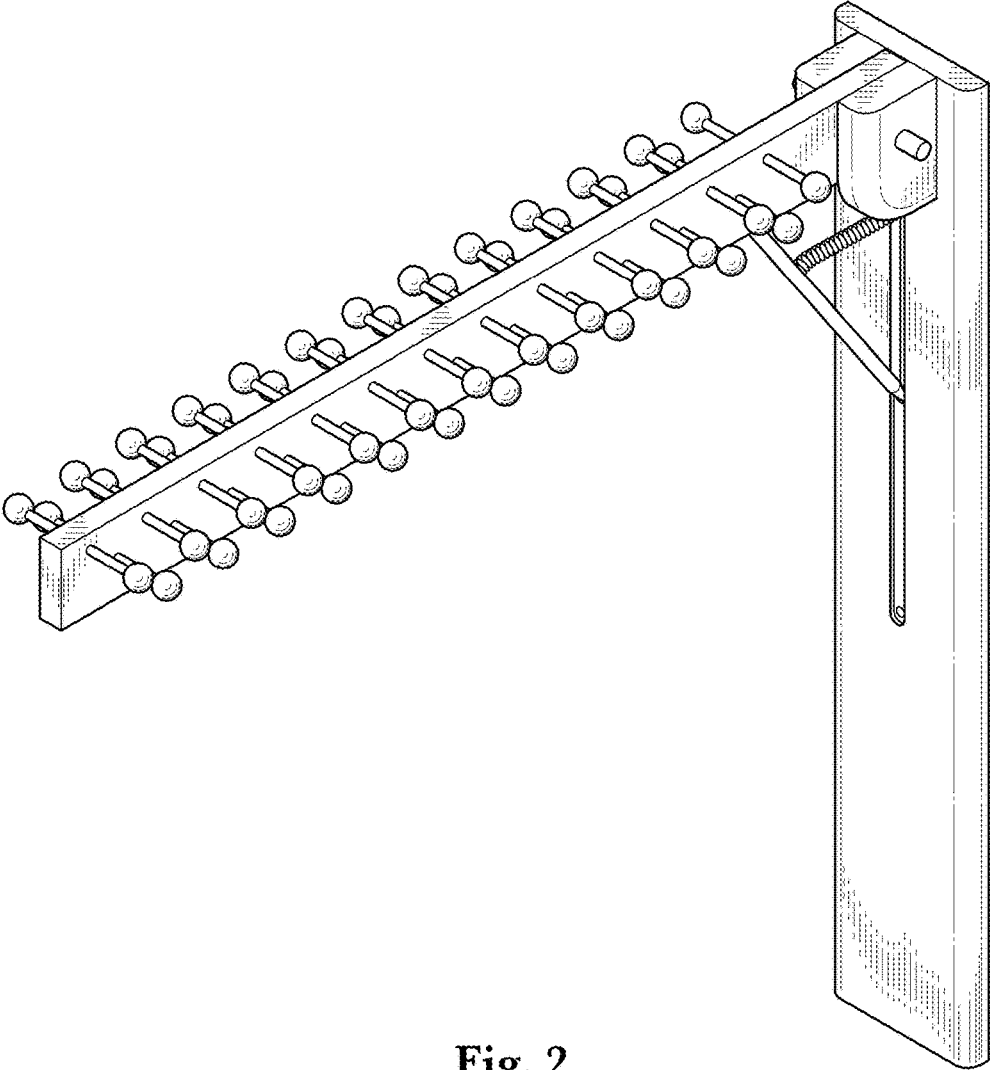


Fig. 2

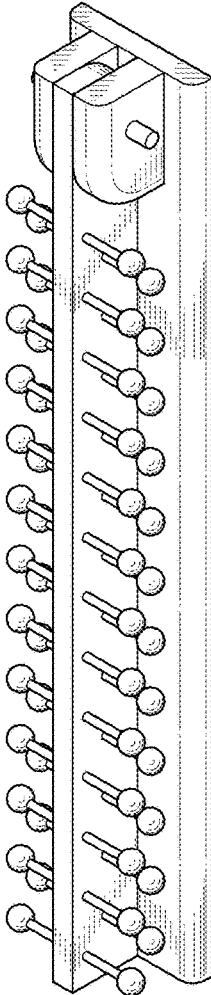


Fig. 3

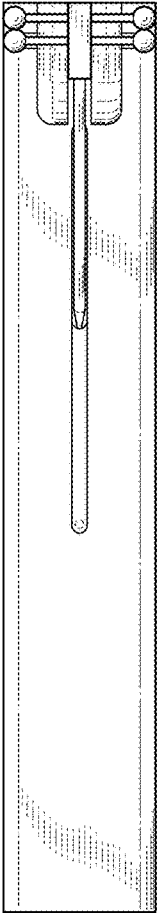


Fig. 4

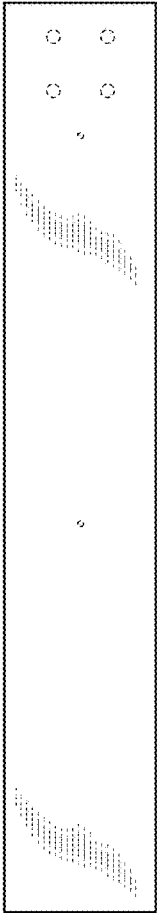


Fig. 5

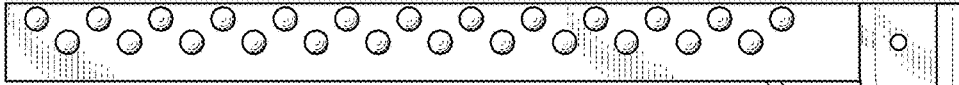


Fig. 6

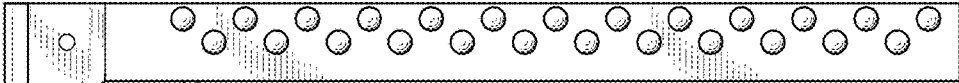


Fig. 7

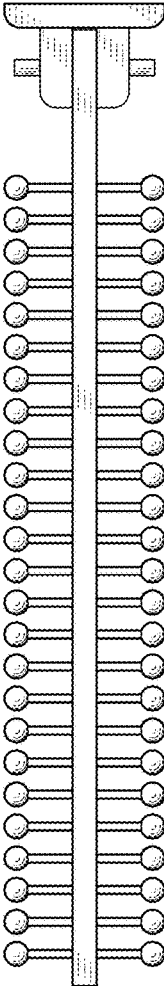


Fig. 8

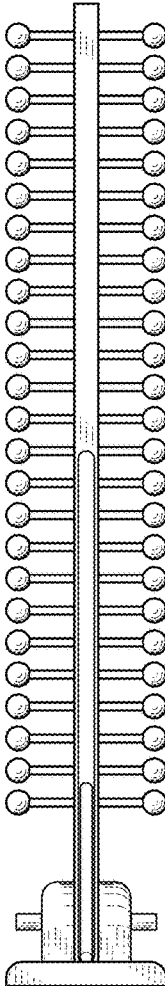


Fig. 9