



US00D805714S

(12) **United States Design Patent**
Saliaris

(10) **Patent No.:** **US D805,714 S**

(45) **Date of Patent:** **** Dec. 19, 2017**

(54) **MODULAR PALLET**
(71) Applicant: **Daniel P. Saliaris**, Delaware, OH (US)
(72) Inventor: **Daniel P. Saliaris**, Delaware, OH (US)
(**) Term: **15 Years**

5,909,712 A * 6/1999 Tan B65D 19/0012
108/51.3
D613,025 S * 3/2010 Dathan D34/38
D628,353 S * 11/2010 Garton D34/38
D670,475 S * 11/2012 Chernek D34/38
D729,488 S * 5/2015 Pulskamp D34/38
9,434,506 B2 * 9/2016 Takyar B65D 19/0095
D774,271 S * 12/2016 Marti D34/38

(21) Appl. No.: **29/558,946**
(22) Filed: **Mar. 23, 2016**
(51) **LOC (10) Cl.** **09-08**
(52) **U.S. Cl.**
USPC **D34/38**
(58) **Field of Classification Search**
USPC D34/38; 108/51.11, 901, 53.3, 54.1,
108/56.1, 56.3, 57.1, 57.13, 57.21
CPC B65D 19/00; B65D 19/38; B65D 19/44;
B65D 19/0097; B65D 19/00965; B65D
19/00955; B65D 19/0012
See application file for complete search history.

* cited by examiner

Primary Examiner — Cynthia Ramirez
(74) *Attorney, Agent, or Firm* — Jason H. Foster;
Kremblas & Foster

(57) **CLAIM**

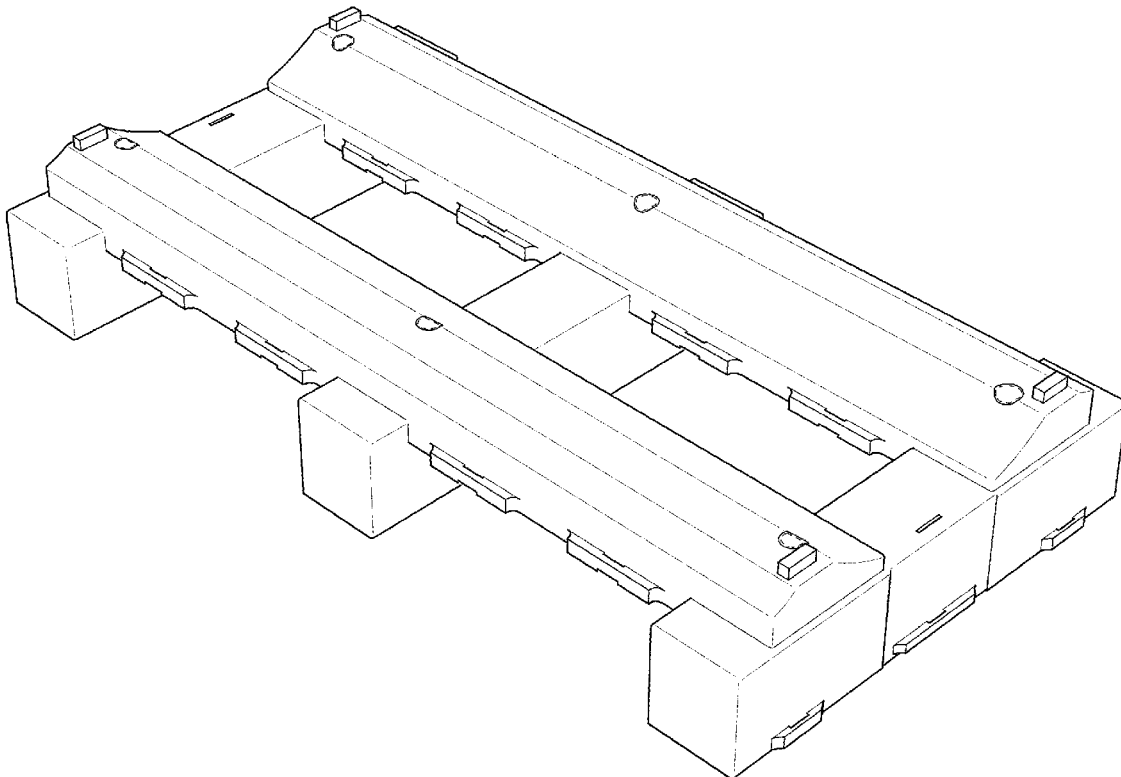
The ornamental design for a modular pallet, substantially as shown and described.

DESCRIPTION

FIG. 1 is a front perspective view of a modular pallet showing my new design;
FIG. 2 is a bottom perspective view thereof;
FIG. 3 is a top view thereof;
FIG. 4 is a bottom view thereof;
FIG. 5 is a front end view thereof, and the opposite end view is identical; and,
FIG. 6 is a right side view thereof, and the opposite side view is identical.
The broken lines in the figures are to show portions of the modular pallet and form no part of the claimed design.

(56) **References Cited**
U.S. PATENT DOCUMENTS
4,867,074 A * 9/1989 Quasnick B65D 19/0095
108/51.3
5,490,465 A * 2/1996 Hoyt B65D 19/0095
108/51.3

1 Claim, 5 Drawing Sheets



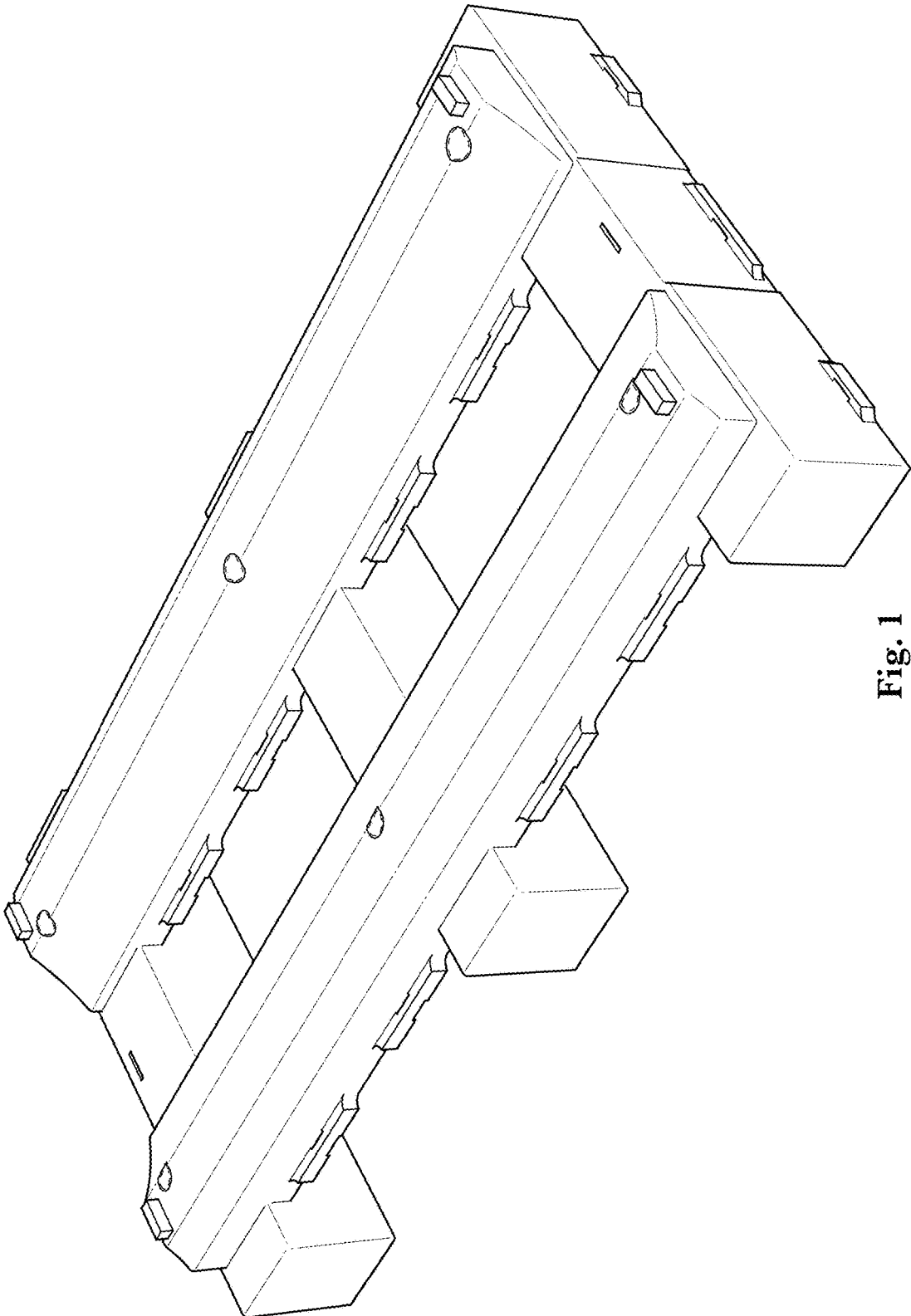


Fig. 1

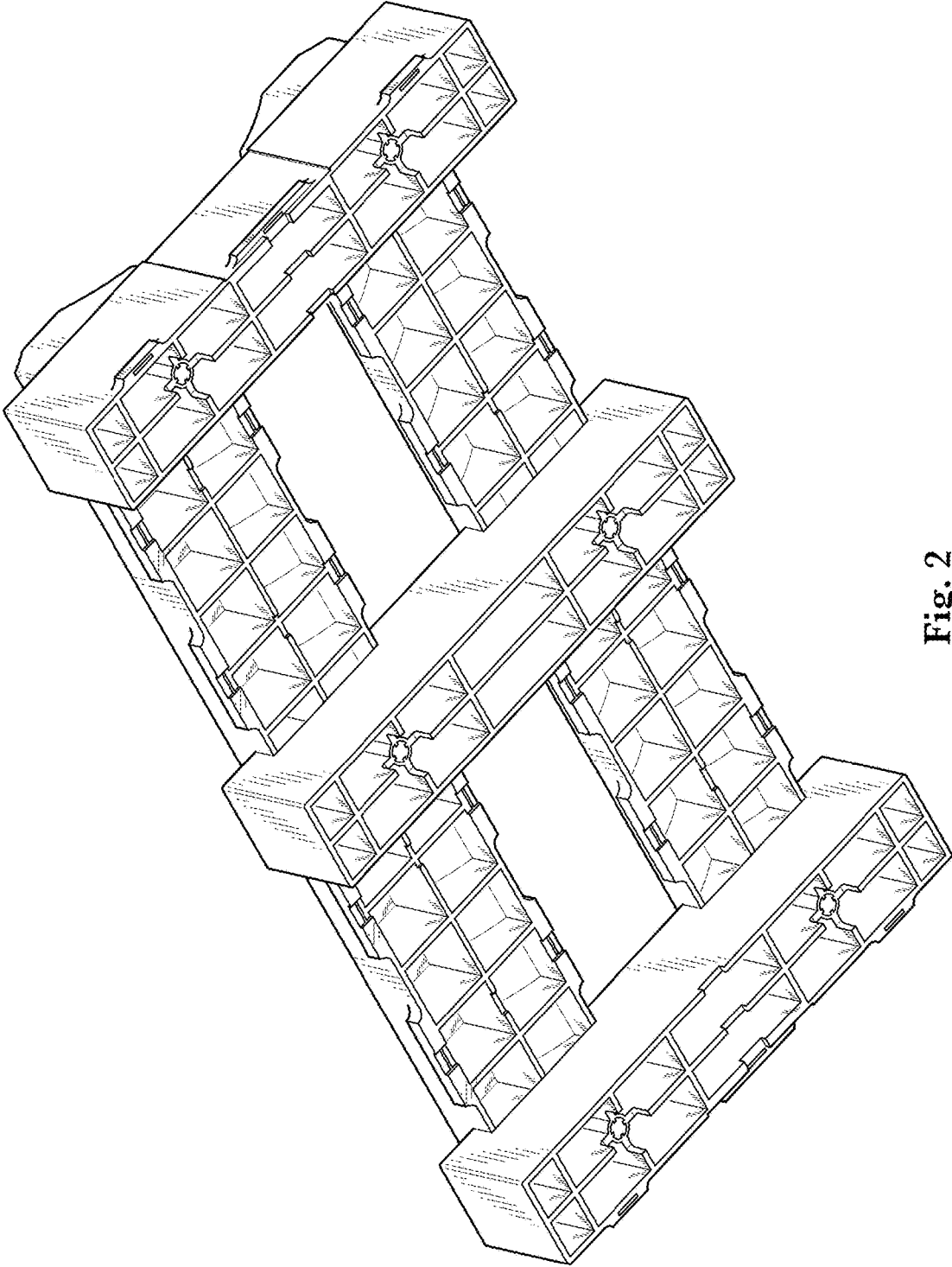


Fig. 2

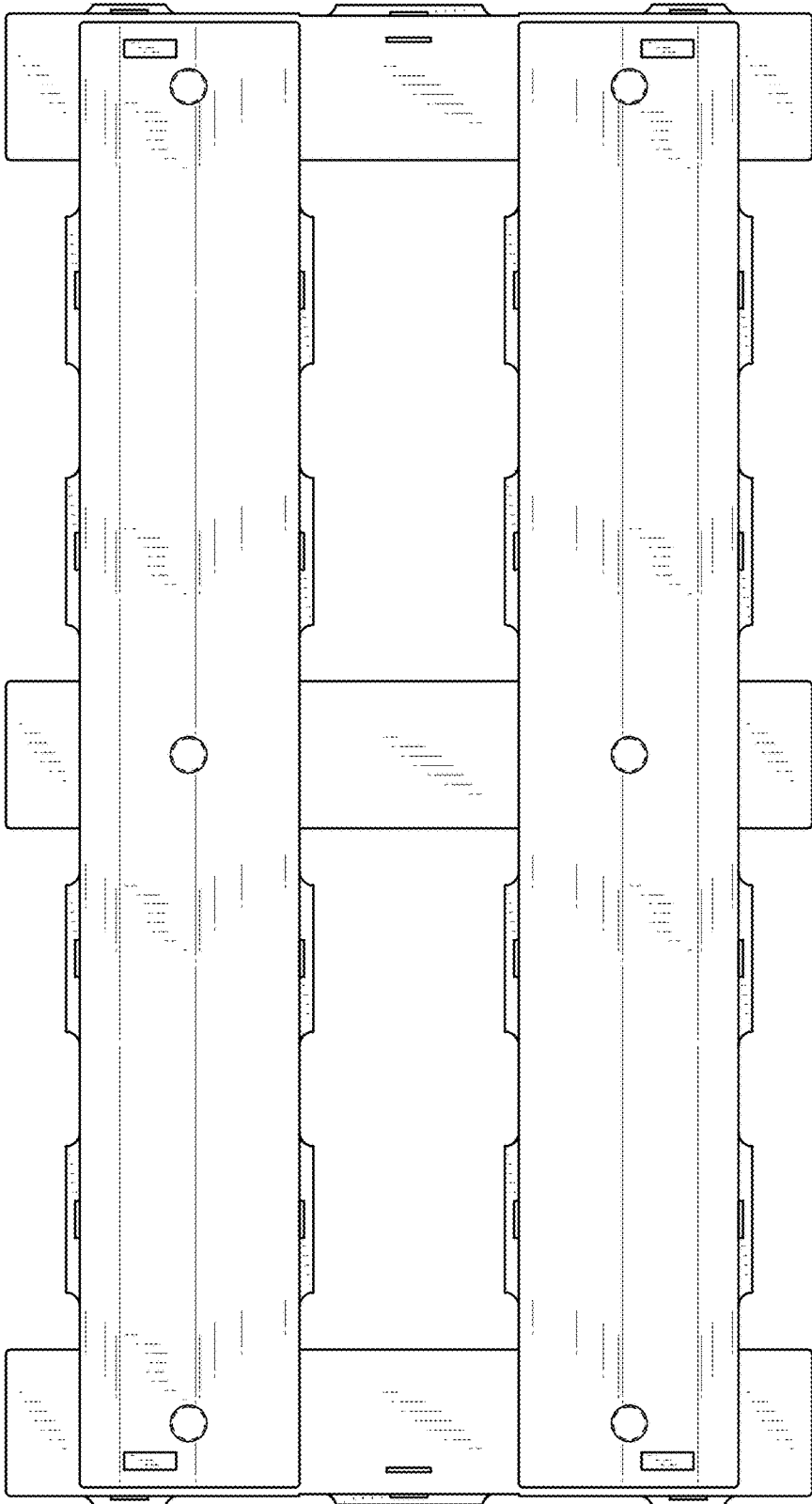


Fig. 3

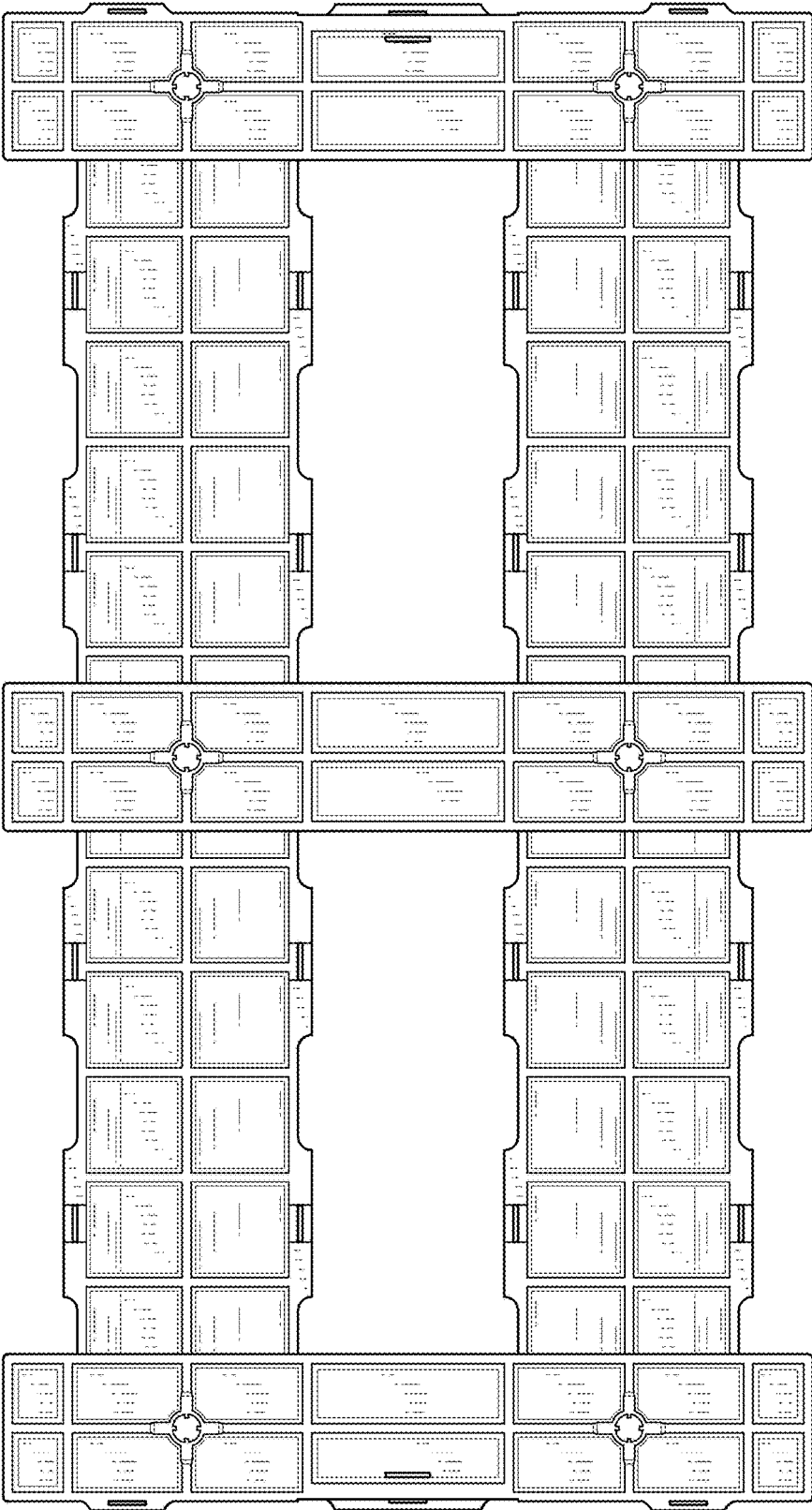


Fig. 4

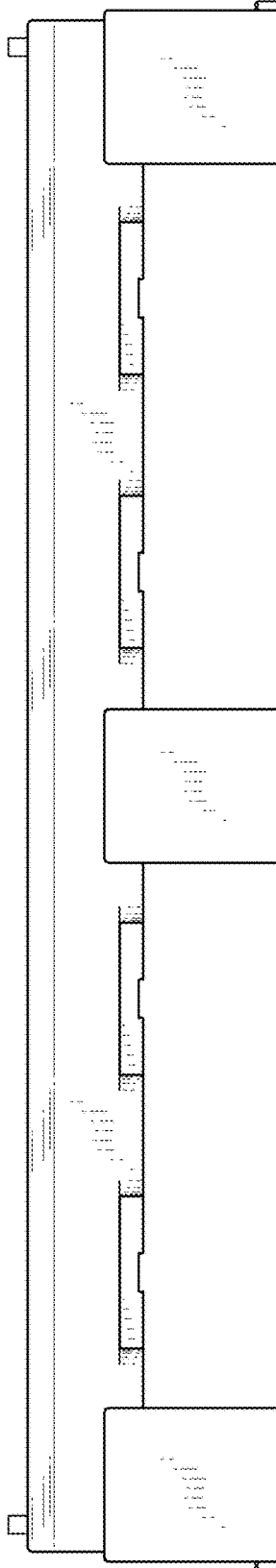


Fig. 5

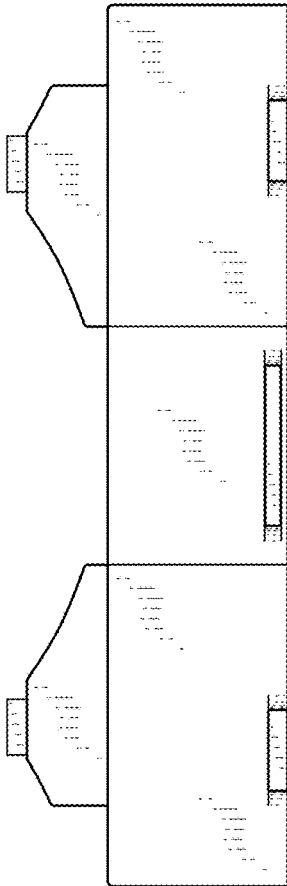


Fig. 6