



US00D784321S

(12) **United States Design Patent**  
**Eder**

(10) **Patent No.:** **US D784,321 S**  
(45) **Date of Patent:** **\*\* Apr. 18, 2017**

- (54) **VISUAL COORDINATION DEVICE**
- (71) Applicant: **IncludeFitness, Inc.**, Columbus, OH (US)
- (72) Inventor: **J. Ryan Eder**, Columbus, OH (US)
- (73) Assignee: **Include Fitness, Inc.**, Columbus, OH (US)
- (\*\*) Term: **15 Years**
- (21) Appl. No.: **29/548,050**
- (22) Filed: **Dec. 10, 2015**
- (51) **LOC (10) Cl.** ..... **14-01**
- (52) **U.S. Cl.**  
USPC ..... **D14/307; D14/299; D24/172**
- (58) **Field of Classification Search**  
USPC ..... D14/307, 305, 302, 308, 299, 900, 374;  
D24/172, 186, 187, 232, 165, 175;  
D20/10, 19, 41, 42; D99/28; D19/60, 61;  
D15/199; D26/1, 71, 139; D10/46,  
D10/109.1, 109.2, 114.1; 40/124.5, 541;  
362/249.06  
CPC ... G09F 3/04; G09F 7/20; F21V 33/00; H05B  
37/02  
See application file for complete search history.

- 3,508,896 A \* 4/1970 Turner ..... G02B 6/06  
216/66
- 3,517,245 A \* 6/1970 Stone ..... H05B 33/04  
313/510
- 3,545,110 A \* 12/1970 Coolbaugh ..... B60Q 3/044  
313/510
- 3,962,702 A \* 6/1976 Kriege ..... G02B 6/4203  
340/815.43
- 4,007,552 A \* 2/1977 Brooks ..... G09F 13/0413  
40/572
- 4,308,572 A \* 12/1981 Davidson ..... A41D 27/085  
36/137
- 4,322,905 A \* 4/1982 Kruse ..... G09F 21/02  
190/1
- D285,456 S \* 9/1986 Wiens ..... D20/39
- 4,777,750 A \* 10/1988 Garfinkle ..... G09F 1/12  
40/607.04
- D305,122 S \* 12/1989 Swartz ..... D14/257
- D305,647 S \* 1/1990 Kato ..... D14/374
- D312,664 S \* 12/1990 Kaut ..... D20/10
- D332,833 S \* 1/1993 Lauks ..... D10/78

(Continued)

*Primary Examiner* — Paula Greene  
(74) *Attorney, Agent, or Firm* — Jason H. Foster;  
Kremblas & Foster

(57) **CLAIM**

The ornamental design for a visual coordination device, substantially as shown.

**DESCRIPTION**

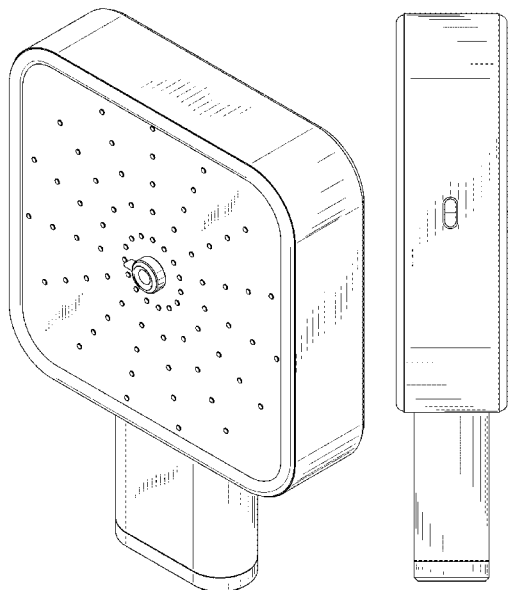
FIG. 1 is a front perspective view of a visual coordination device showing my new design;  
FIG. 2 is a front view thereof;  
FIG. 3 is a rear view thereof;  
FIG. 4 is a right side view thereof;  
FIG. 5 is a left side view thereof;  
FIG. 6 is a top view thereof; and,  
FIG. 7 is a bottom view thereof.

**1 Claim, 6 Drawing Sheets**

(56) **References Cited**

**U.S. PATENT DOCUMENTS**

- 1,810,264 A \* 6/1931 Bonitz ..... G09F 25/00  
40/455
- 1,845,530 A \* 2/1932 Tarallo ..... G09F 13/06  
40/452
- D180,756 S \* 8/1957 Winger ..... D20/41
- 3,011,394 A \* 12/1961 Sherman ..... A61B 3/02  
351/239
- D215,713 S \* 10/1969 Jarl ..... D10/46





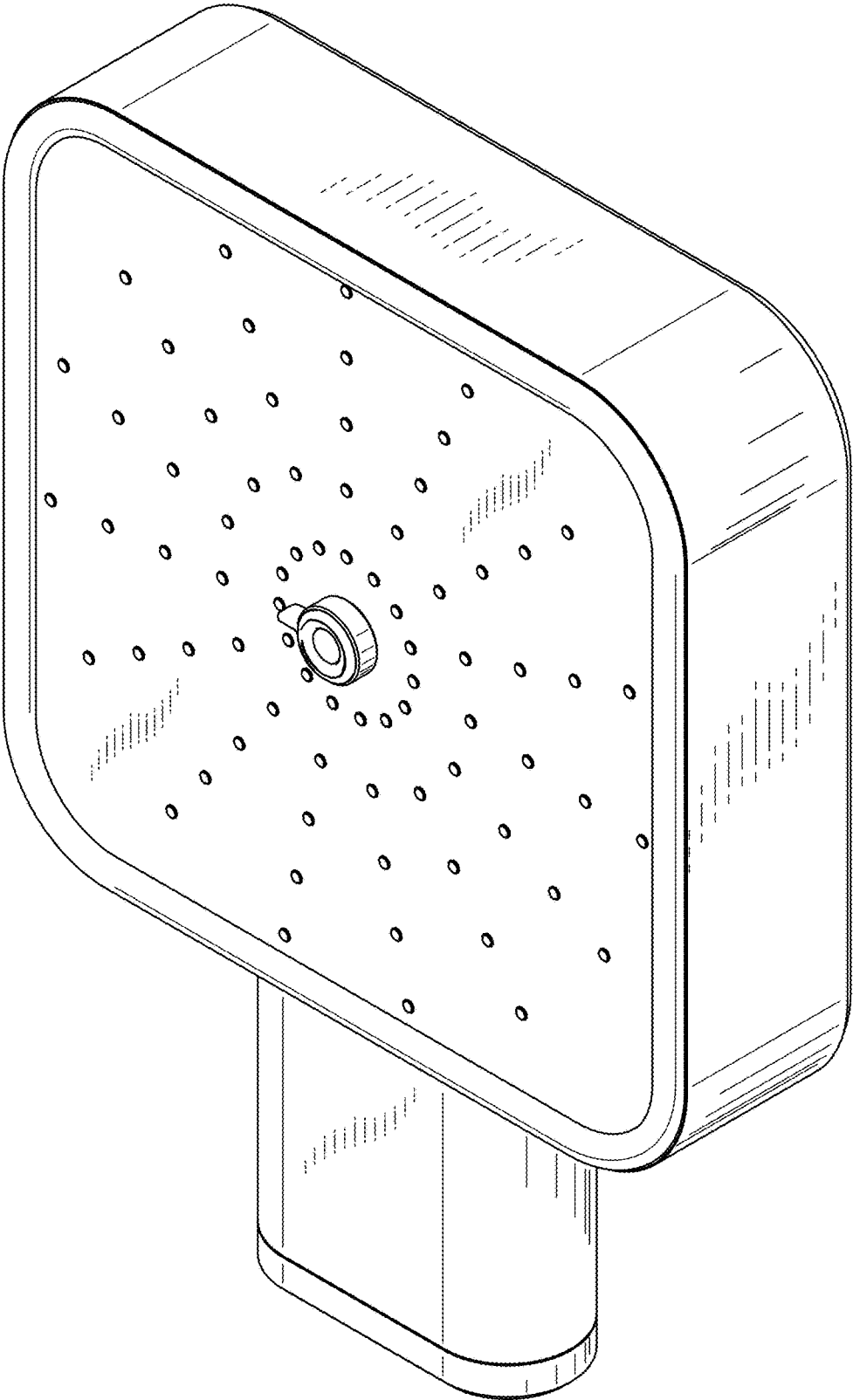


Fig. 1

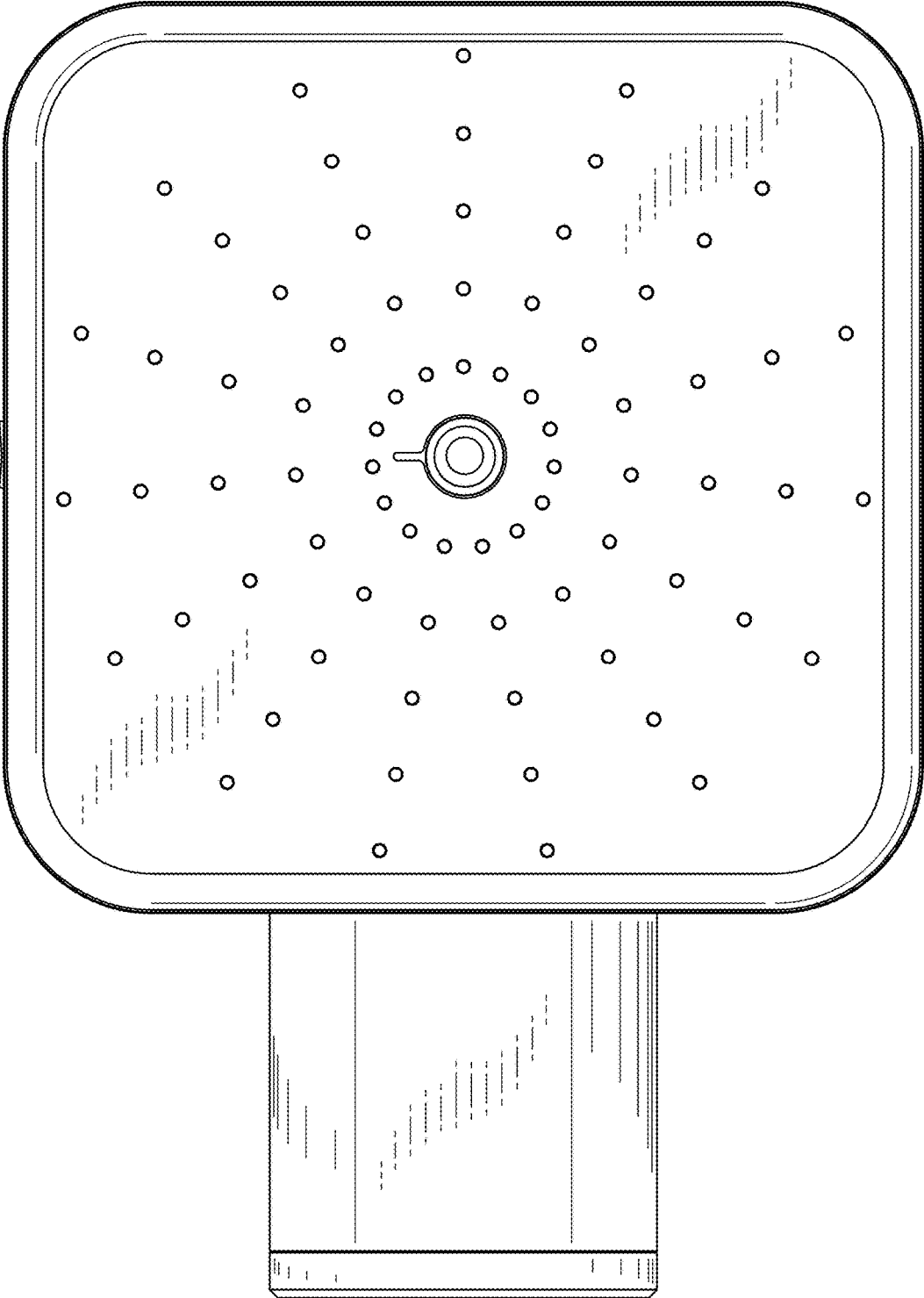


Fig. 2

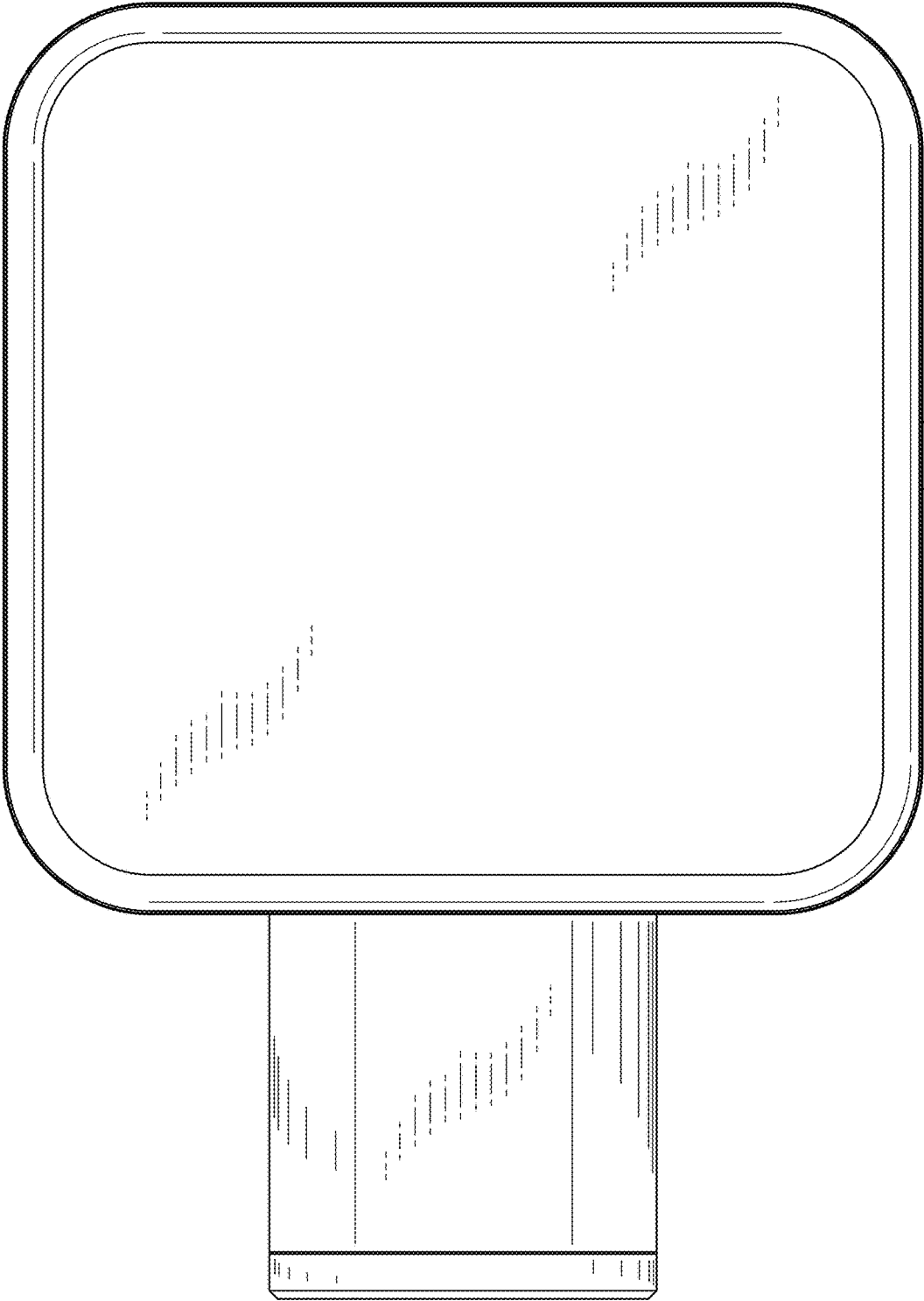


Fig. 3

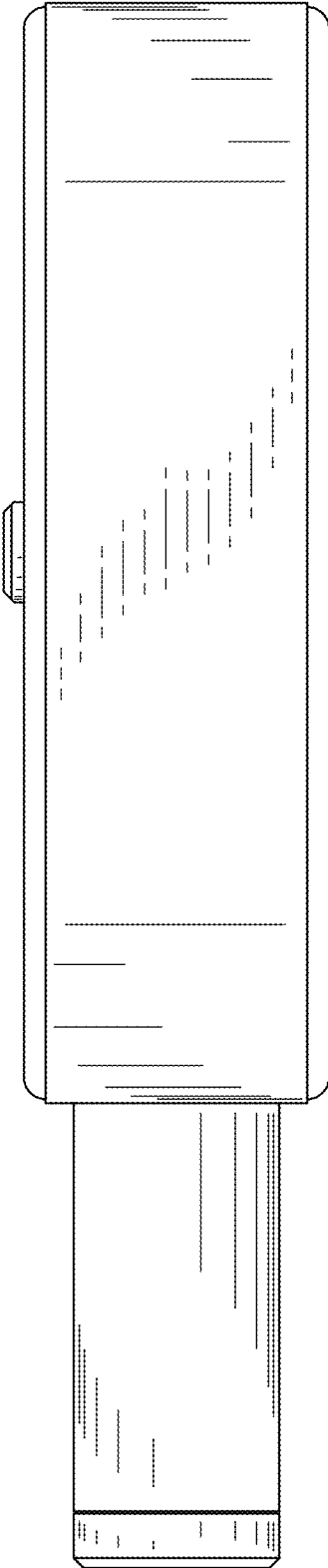


Fig. 4

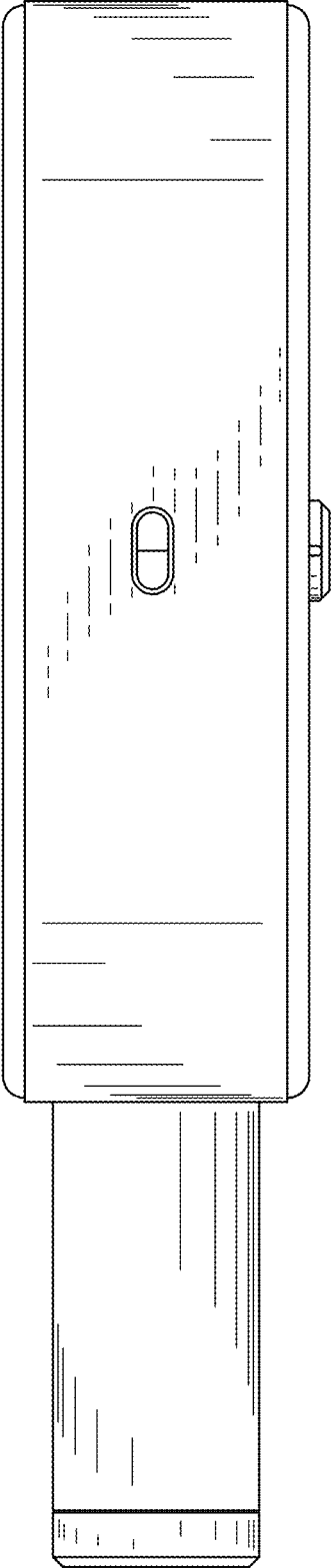


Fig. 5

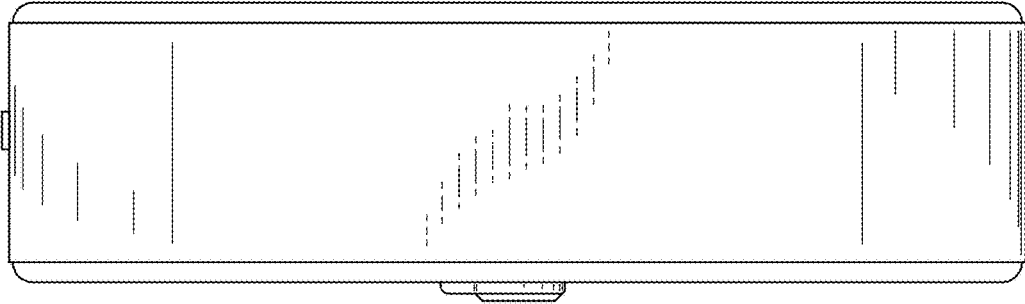


Fig. 6

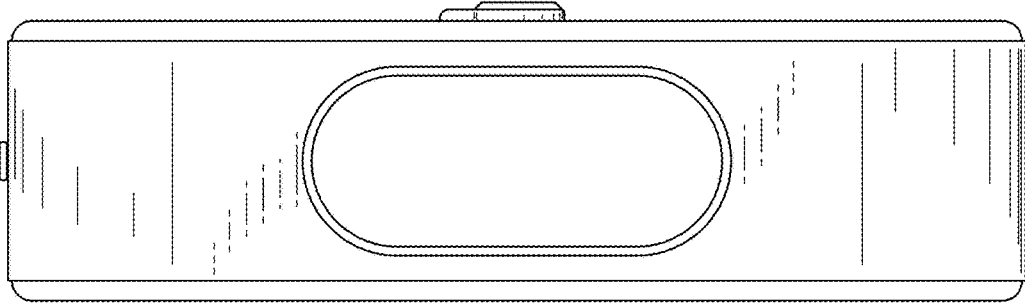


Fig. 7