



US00D748746S

(12) **United States Design Patent**  
**Eder**

(10) **Patent No.:** **US D748,746 S**

(45) **Date of Patent:** **\*\* Feb. 2, 2016**

(54) **FITNESS MACHINE DIAL**

(71) Applicant: **IncludeFitness, Inc.**, Cincinnati, OH (US)

(72) Inventor: **J. Ryan Eder**, Columbus, OH (US)

(73) Assignee: **IncludeFitness, LLC**, Cincinnati, OH (US)

(\*\*) Term: **14 Years**

(21) Appl. No.: **29/495,186**

(22) Filed: **Jun. 27, 2014**

**Related U.S. Application Data**

(63) Continuation of application No. 29/441,838, filed on Jan. 10, 2013, now Pat. No. Des. 708,274.

(51) **LOC (10) Cl.** ..... **21-02**

(52) **U.S. Cl.**  
USPC ..... **D21/694**

(58) **Field of Classification Search**  
USPC ..... D21/673, 694, 684, 662; 292/66;  
D14/496, 246, 217, 438; 482/100;  
D8/311, 310, 308; D22/108; D7/393;  
D23/252, 238, 242, 254, 243, 313  
CPC ..... A63B 23/0494; A63B 2021/0616;  
A63B 21/00065; A63B 21/0605; A63B  
21/0615; A63B 21/062; A63B 21/075; A63B  
21/08; A63B 21/1492; Y10T 137/87072  
See application file for complete search history.

(56) **References Cited**

**U.S. PATENT DOCUMENTS**

D253,799 S \* 1/1980 Saporito ..... D23/243  
D258,982 S \* 4/1981 Saporito ..... D23/242  
D414,247 S \* 9/1999 Kolada ..... D23/252  
D428,640 S \* 7/2000 Pitsch ..... D23/238  
D448,271 S \* 9/2001 Costello ..... D8/311

D457,416 S \* 5/2002 Caspersz ..... D8/311  
D462,421 S \* 9/2002 Hundley ..... D23/252  
D468,808 S \* 1/2003 Moore ..... D23/252  
D502,763 S \* 3/2005 Ouyoung ..... D23/252  
D521,801 S \* 5/2006 Huxhold ..... D7/393  
D531,702 S \* 11/2006 Haug ..... D23/252  
D541,385 S \* 4/2007 Haug ..... D23/252  
D544,866 S \* 6/2007 Wang ..... D14/438  
D562,347 S \* 2/2008 Morisawa ..... D14/246  
7,722,509 B2 5/2010 Eder  
D634,156 S \* 3/2011 Fuller ..... D7/393  
D652,119 S \* 1/2012 Reid ..... D23/252  
D679,774 S \* 4/2013 Burzel ..... D22/108  
D704,028 S \* 5/2014 Meda ..... D8/310  
D708,274 S 7/2014 Eder  
D726,159 S \* 4/2015 Swendseid ..... D14/217  
D735,841 S \* 8/2015 Obara ..... D23/252  
2008/0300116 A1 \* 12/2008 Eder ..... A63B 21/062  
482/100  
2014/0210218 A1 \* 7/2014 Eder ..... E05B 1/0053  
292/66

\* cited by examiner

*Primary Examiner* — Robert M Spear

*Assistant Examiner* — Ryan Harvey

(74) *Attorney, Agent, or Firm* — Jason H. Foster; Kremblas & Foster

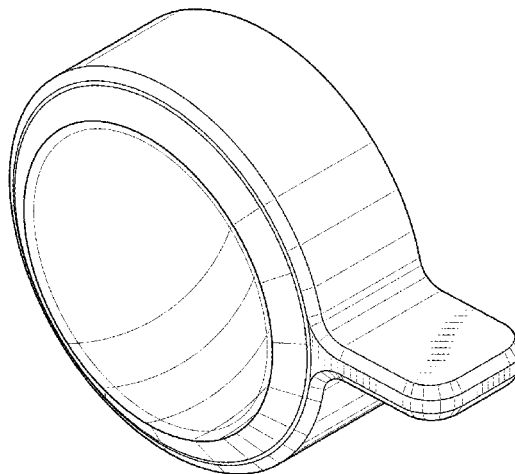
(57) **CLAIM**

The ornamental design for a fitness machine dial, as shown and described.

**DESCRIPTION**

FIG. 1 is a front perspective view of a fitness machine dial showing my new design;  
FIG. 2 is a rear perspective view thereof;  
FIG. 3 is a front view thereof;  
FIG. 4 is a rear view thereof;  
FIG. 5 is a top view thereof (the bottom view thereof is a mirror image of FIG. 5);  
FIG. 6 is a left side view thereof; and,  
FIG. 7 is a right side view thereof.

**1 Claim, 3 Drawing Sheets**



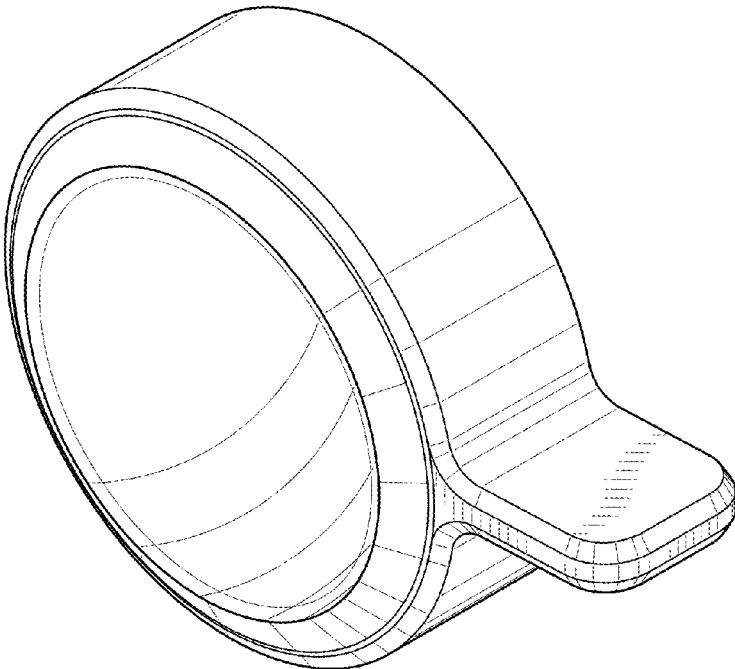


FIG. 1

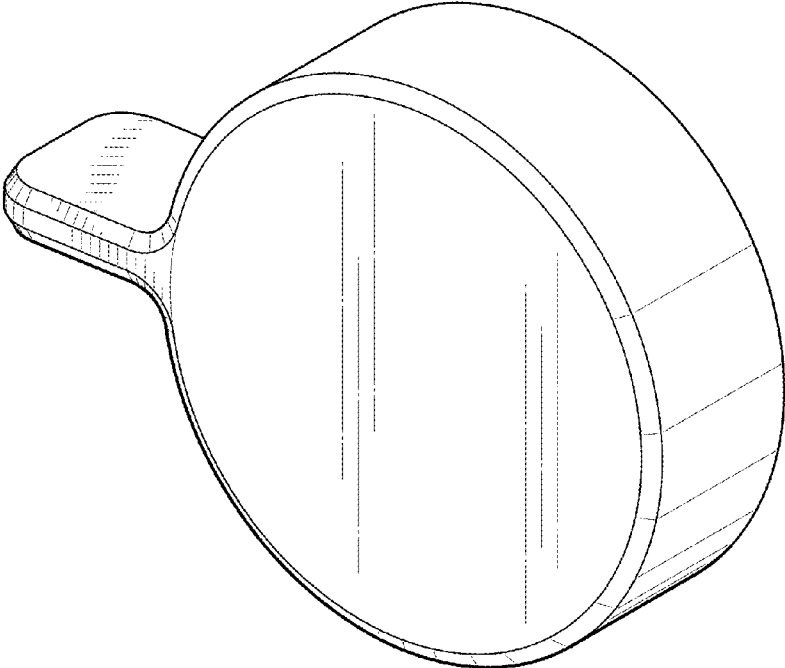


FIG. 2

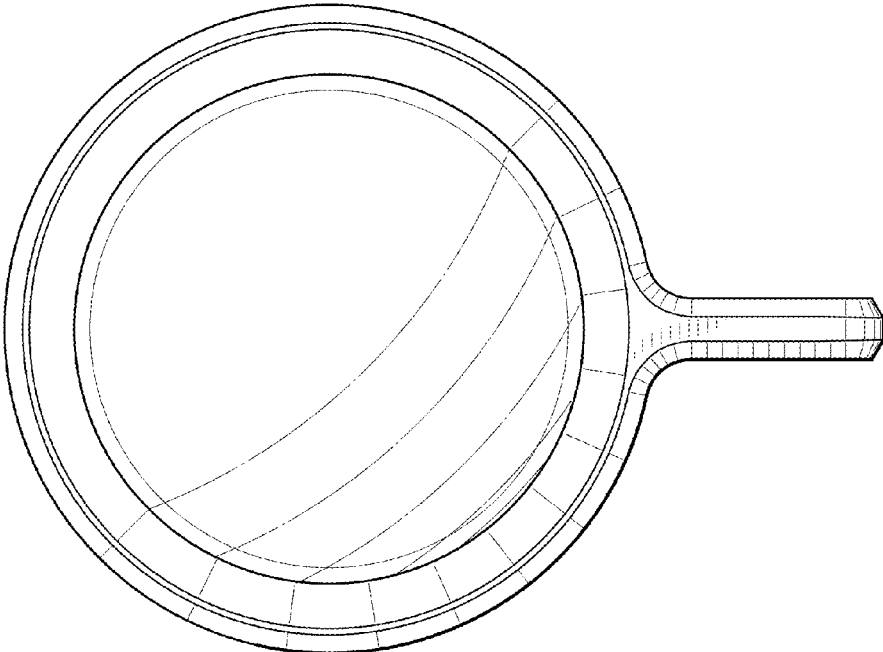


FIG. 3

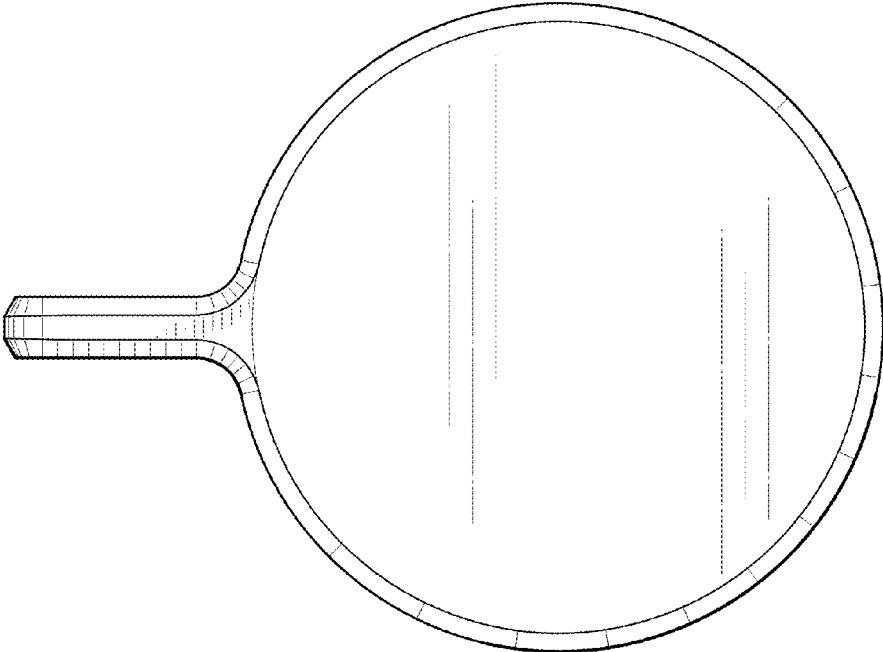


FIG. 4

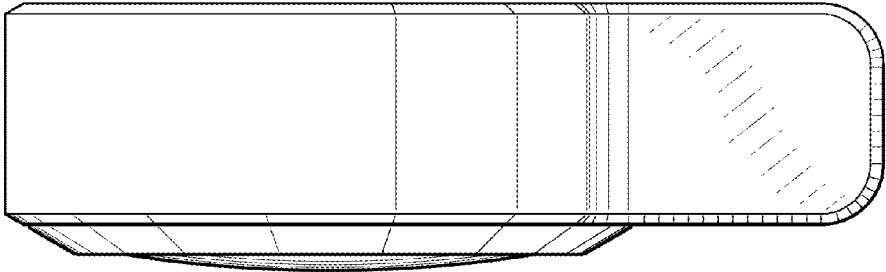


FIG. 5

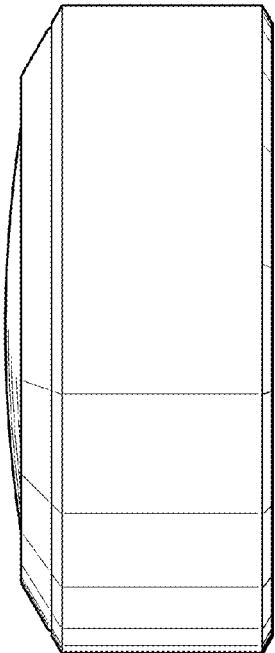


FIG. 6

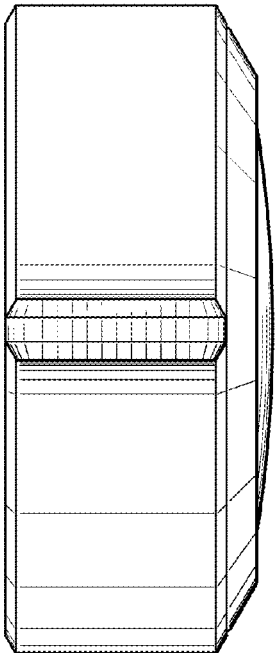


FIG. 7