



US00D472803S

(12) **United States Design Patent**
Saunders

(10) **Patent No.:** **US D472,803 S**
(45) **Date of Patent:** **** Apr. 8, 2003**

(54) **PRODUCT CONTAINER**

(75) **Inventor:** **Craig M. Saunders**, Rocky River, OH (US)

(73) **Assignee:** **Toagosei America, Inc.**, West Jefferson, OH (US)

(**) **Term:** **14 Years**

(21) **Appl. No.:** **29/160,713**

(22) **Filed:** **May 15, 2002**

(51) **LOC (7) Cl.** **09-03**

(52) **U.S. Cl.** **D9/423**; D9/428; D9/430

(58) **Field of Search** D9/428, 429, 430, D9/341, 423-426, 346, 432; D7/601, 602, 629; 206/216, 541, 508, 518, 557, 822, 521.1, 521.2, 823; 229/406, 407, 4.5, 5.5, 902-906, 938, 116.1; 220/4.21-4.27, 556, 244, 781, 669, 836-842, 674, 675, 912; 426/106, 129, 130

(56) **References Cited**

U.S. PATENT DOCUMENTS

2,826,780 A * 3/1958 Dorfman D9/423
4,096,986 A * 6/1978 Florian 220/4.23

D249,332 S * 9/1978 Hauf D9/418
D303,633 S * 9/1989 Terauds D9/428
5,036,980 A * 8/1991 Vigue et al. 220/4.24
5,220,999 A * 6/1993 Goulette 206/508
D406,929 S * 3/1999 Hsu D9/428
D440,490 S * 4/2001 Lizzio D9/428

* cited by examiner

Primary Examiner—Prabhakar Deshmukh

(74) *Attorney, Agent, or Firm*—Frank H. Foster; Kremblas, Foster, Phillips & Pollick

(57) **CLAIM**

The ornamental design for a product container, as shown.

DESCRIPTION

FIG. 1 is a front perspective view of a product container in the opened position showing my new design.

FIG. 2 is a front perspective view thereof in the closed position.

FIG. 3 is a top plan view thereof.

FIG. 4 is bottom view thereof.

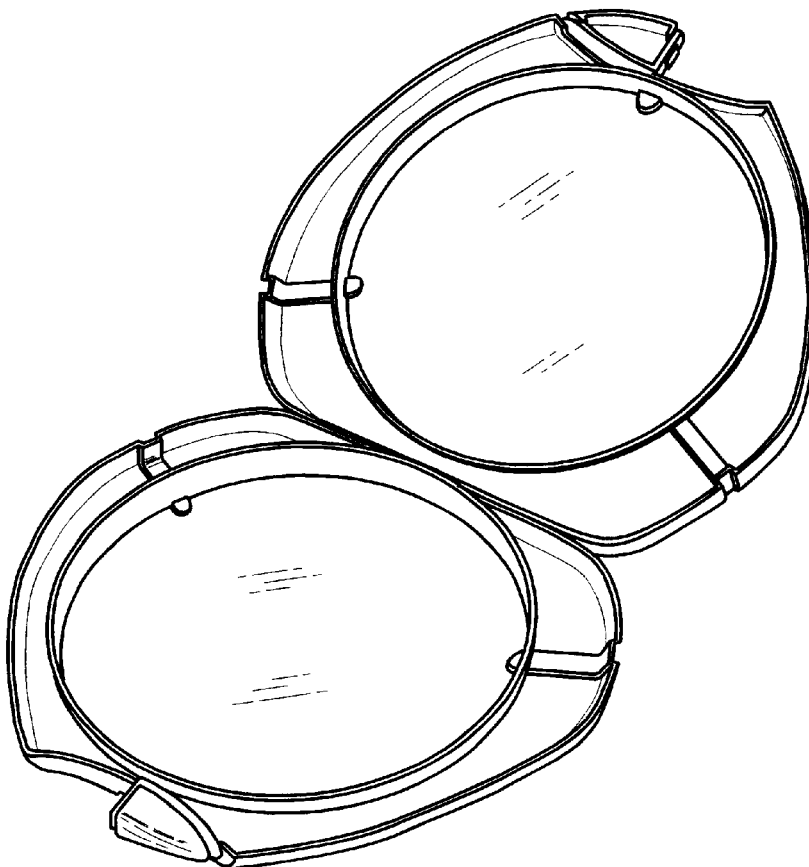
FIG. 5 is a front elevation view thereof.

FIG. 6 is a right side elevation view thereof.

FIG. 7 is a left side elevation view thereof; and,

FIG. 8 is a rear elevation view thereof.

1 Claim, 3 Drawing Sheets



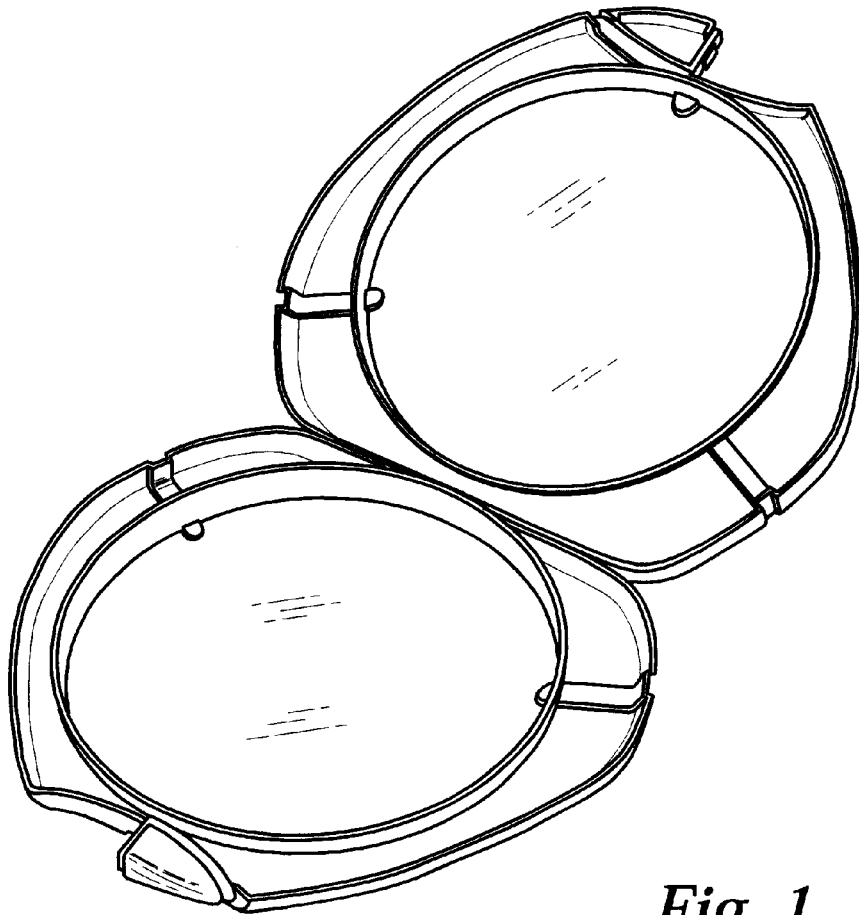


Fig. 1

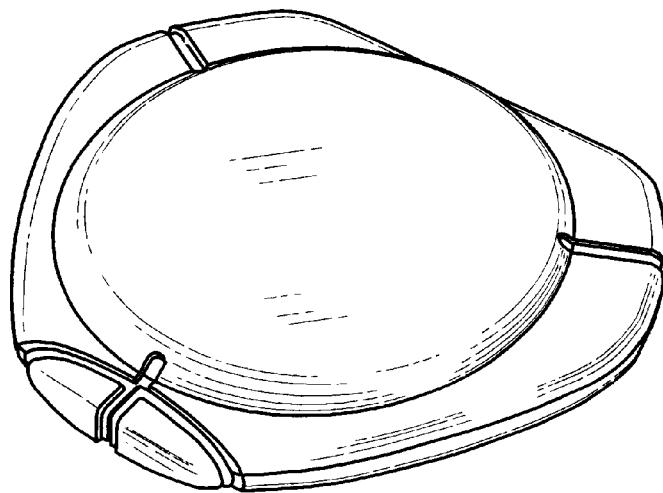


Fig. 2

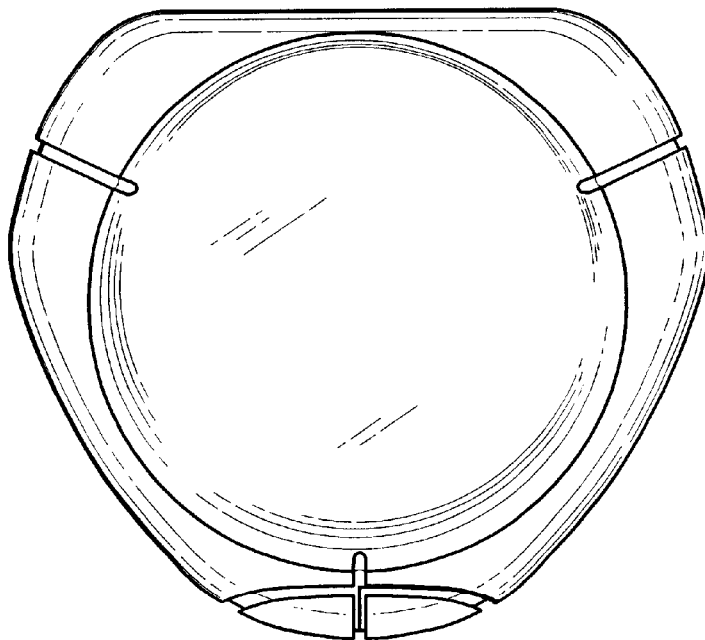


Fig. 3

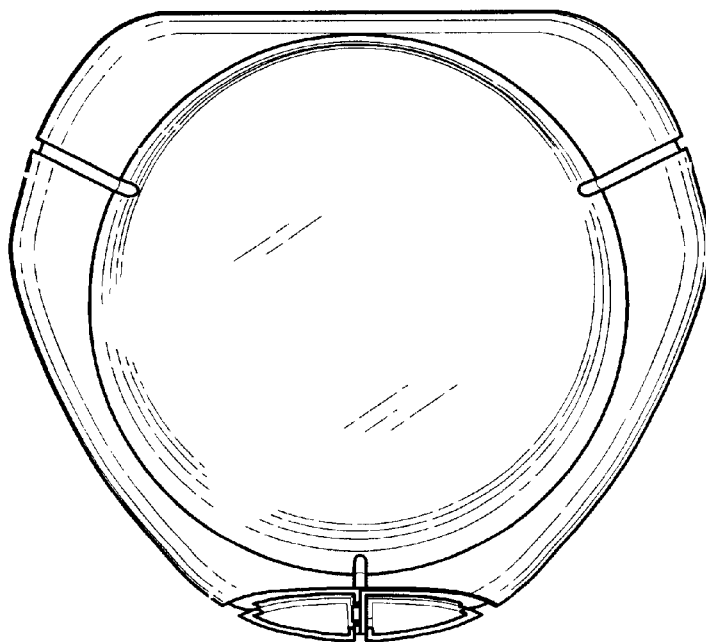


Fig. 4

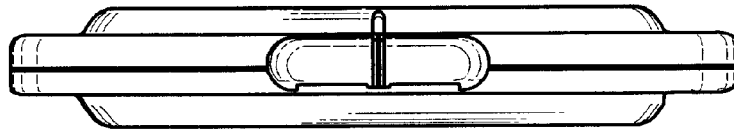


Fig. 5



Fig. 6

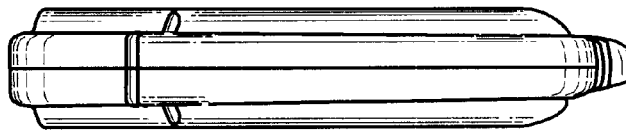


Fig. 7



Fig. 8